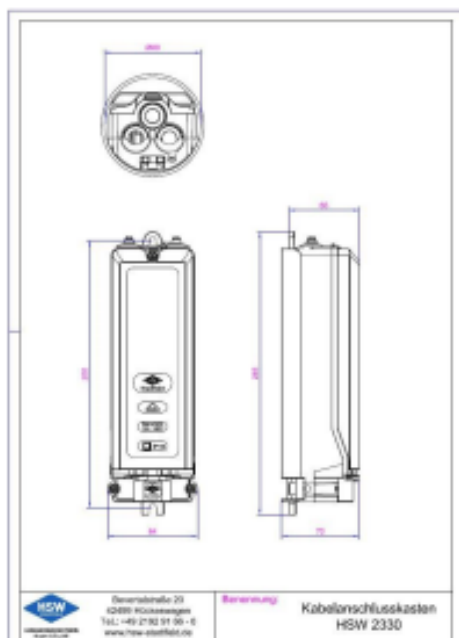


# Mastesikringsindsats med 3 sikringer

## Cable fuse box HSW 2330

### Technical data

Nominal voltage / -current	400 V / 16 A
Degree of protection	IP54
Protection class	II
Fuses	3 x D01 (E14) up to 16 A
Measurements (L x W x H)	265 x 84 x 72 mm
Pole internal diameter	from 89 mm
Door size	from 80 x 270 mm
Entry field for wire connection	up to 85 mm
Input connectors	3 cables 5 x 6 mm <sup>2</sup> up to 5 x 16 mm <sup>2</sup>
Output connectors	2 cables 4/5 x 1,5 mm <sup>2</sup> up to 4/5 x 2,5 mm <sup>2</sup>
Applied standards	DIN VDE 0660-505; DIN 43628



### Delivery content

- Screw caps
- Sliding gaskets

### Accessory

- Fuse inserts and sleeves
- Screws for light pole connection M6 x 12 mm
- Mounting kit HSW 170
- Different earth conductor
- Housing cover in clear or black



REG.-Nr. 122009

EAN nr.	Varenummer	L:	B:	H:	Sikkerhedsklasse	Tæthedsklasse
		mm	mm	mm		IP 54
5711025755602	755.602	265	84	72	II	